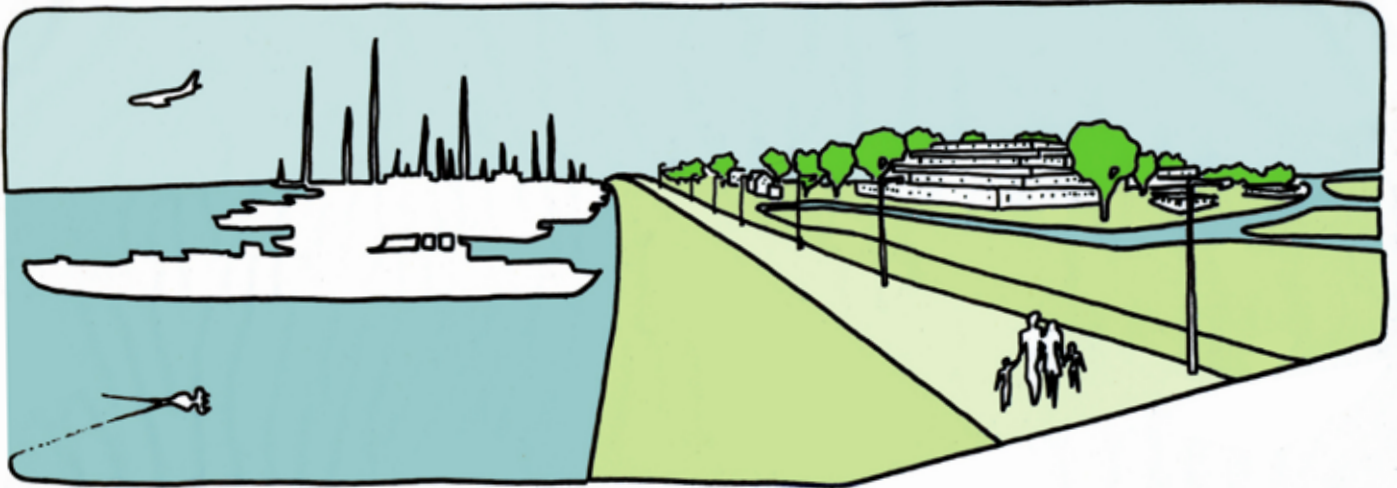
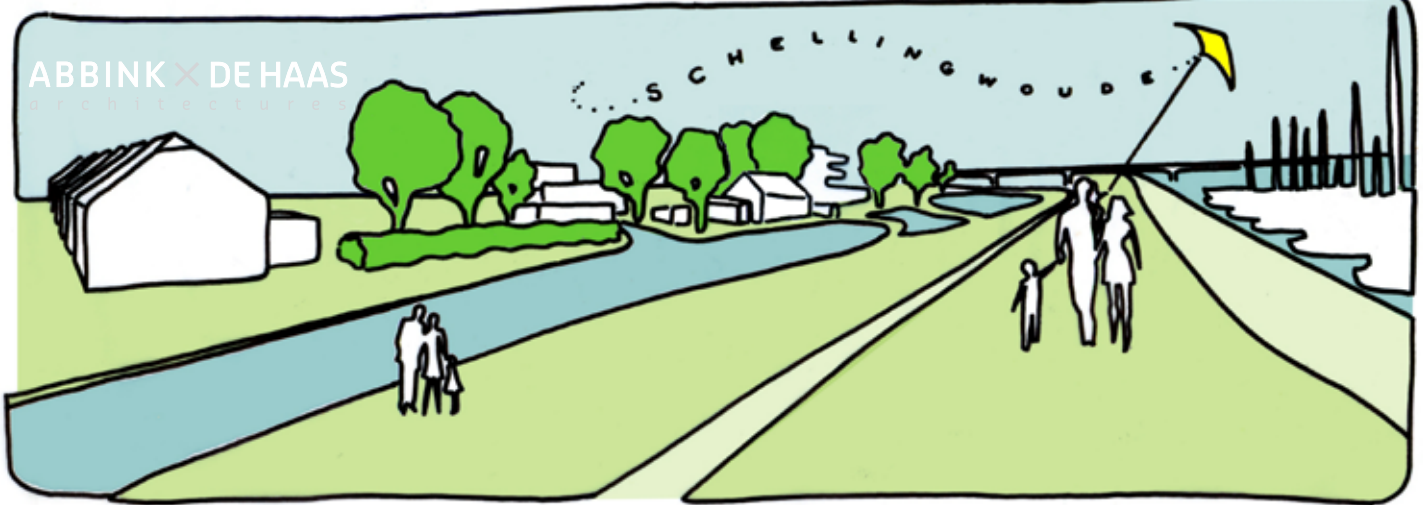
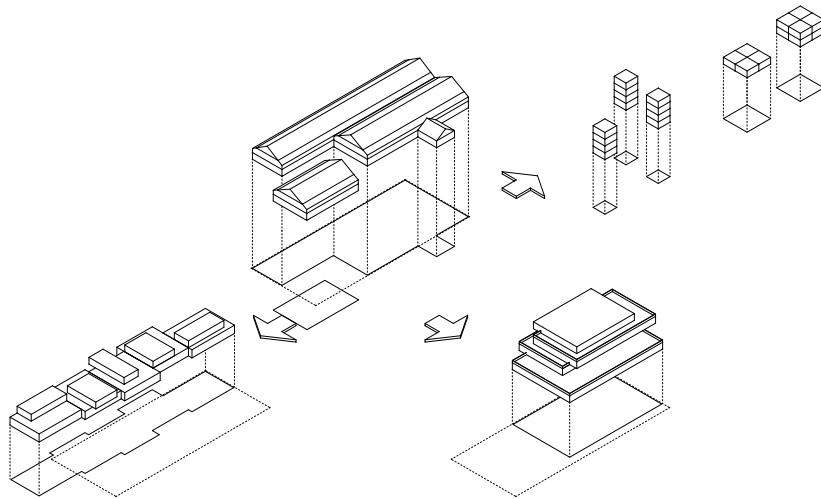


ABBINK X DE HAAS  
architectures

SCHELLINGWOUDE



SCHELLINGWOUDE





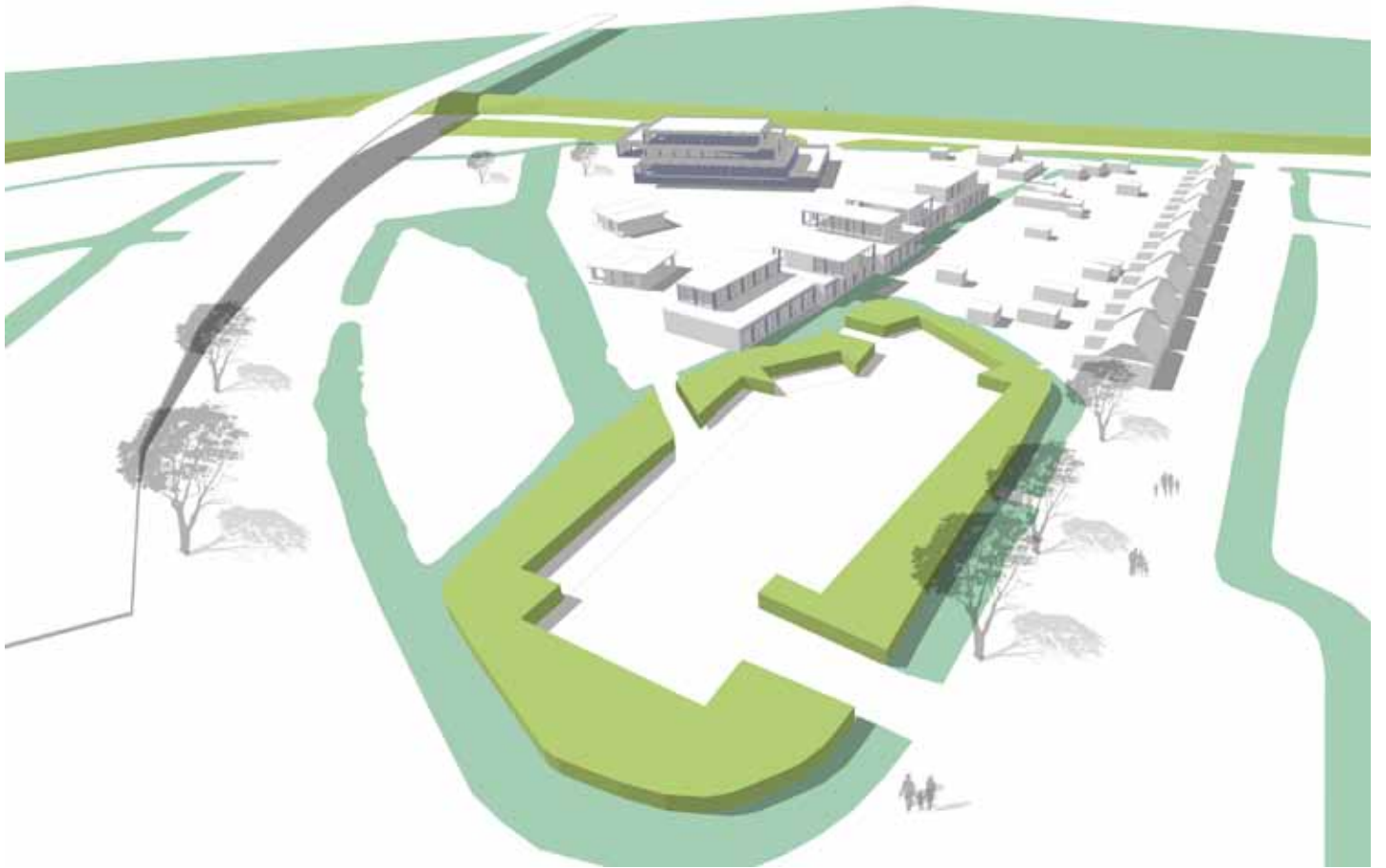
BEDRIJVGHEID

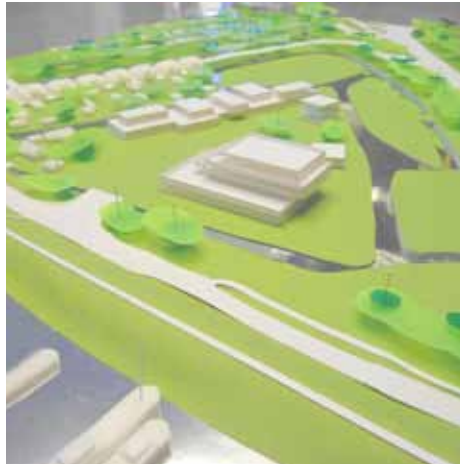
GEZINNEN



RECREATIE







## Schellingwoude Bridge

At the foot of the Schellingwoude Bridge, where Nescio's Titaantjes (little Titans) went for a walk along the dike, at the border between Amsterdam Noord and Waterland, a triangular lot is located for which our firm is preparing an urban development concept. The most striking feature of the lot is the difference in ambience generated at the various levels. At the level of the first floor, everything appears to be larger than life, grand and dynamic: the bridge, the locks, the river IJ, the large ships for the inland shipping trade, the noise from the motorway.... In contrast, at ground level, everything seems so much more intimate, green, idyllic and quiet. Here, you might encounter the extremely rare grass snake or hear the wings of a dragonfly zooming by. To a great extent, the design returns this former garden centre area to nature and is in line with the overall ecological framework present.

Low-rise residential units suitable for home-workers shield the borders of this intimate area, and small pavilions decorate the landscape. Cars can park in an artificial hill and can access the grounds only for loading and unloading. The area is open to visitors in the daytime. However, on the banks of the IJ, a larger building is visible, standing like a solid country house on the dike. Perhaps it's an office building, or – even better – a hotel with a grand café on the first floor, offering a fantastic view to the south and of the shipping traffic.

Client:

ADC Projecten

Location:

Amsterdam Noord NL

Programme:

hotel 60 rooms,

7 work & housing units,

3 garden pavilions

Surface area:

6 200 m<sup>2</sup>

Status:

design 2009

[www.abbinkdehaas.nl](http://www.abbinkdehaas.nl)

[info@abbinkdehaas.nl](mailto:info@abbinkdehaas.nl)

X